

DAM6056S

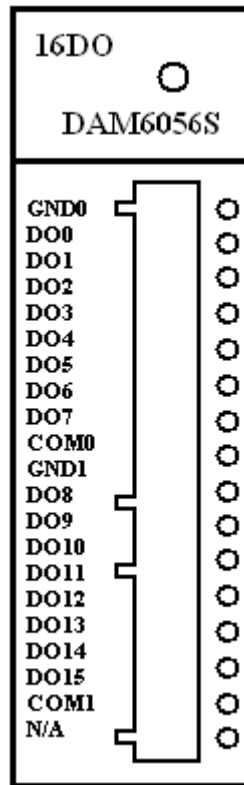
User's Manual



Beijing ART Technology Development Co., Ltd.

DAM6056S

◆ Terminal Distribution

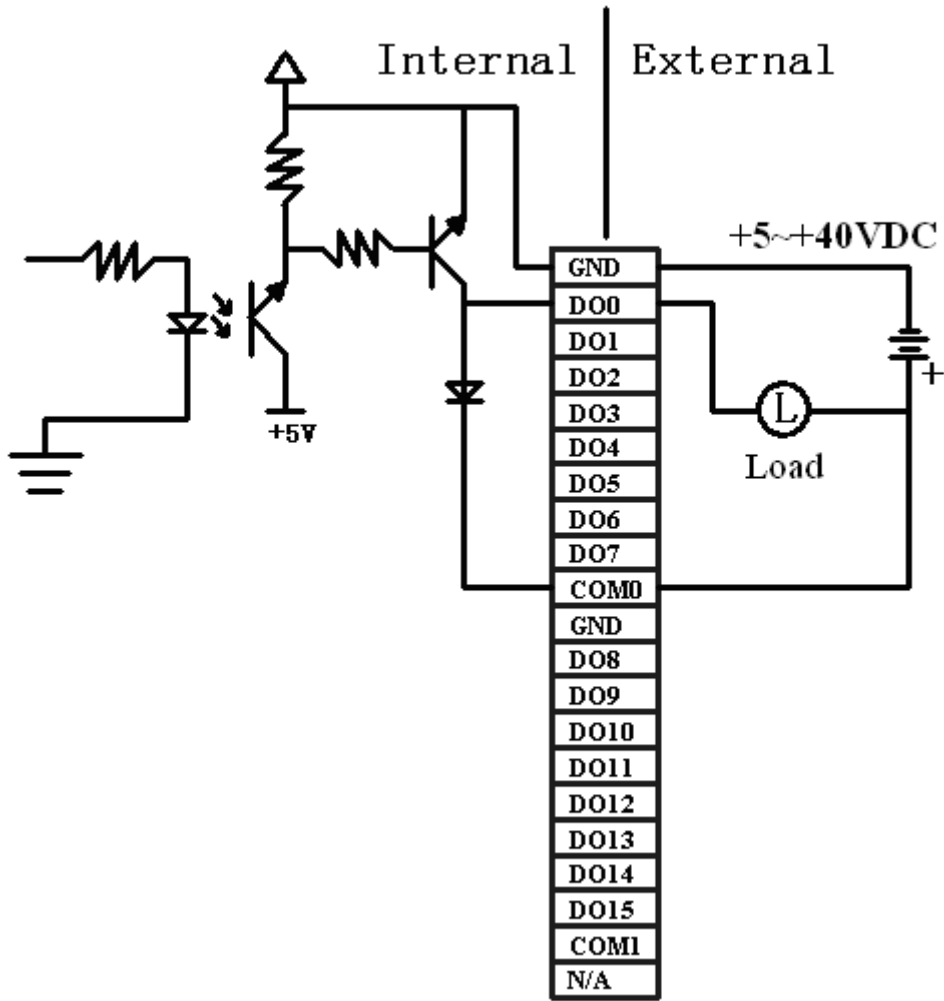


◆ Feature

16 Channels Isolated Digital Output Module (with LED)

- 16 channels isolated digital output
- Digital Output: Open-collector 40V, 200mA
- Optical Isolation: 2500V DC
- LED Indicator: ON for working
- Power Consumption: 0.6W (typical)

◆ Wiring



External Wiring (the maximum load current is 200mA)

Note: COM0, COM1 are different. COM0 is used for DO0~DO7, COM1 is used for DO8~DO15.